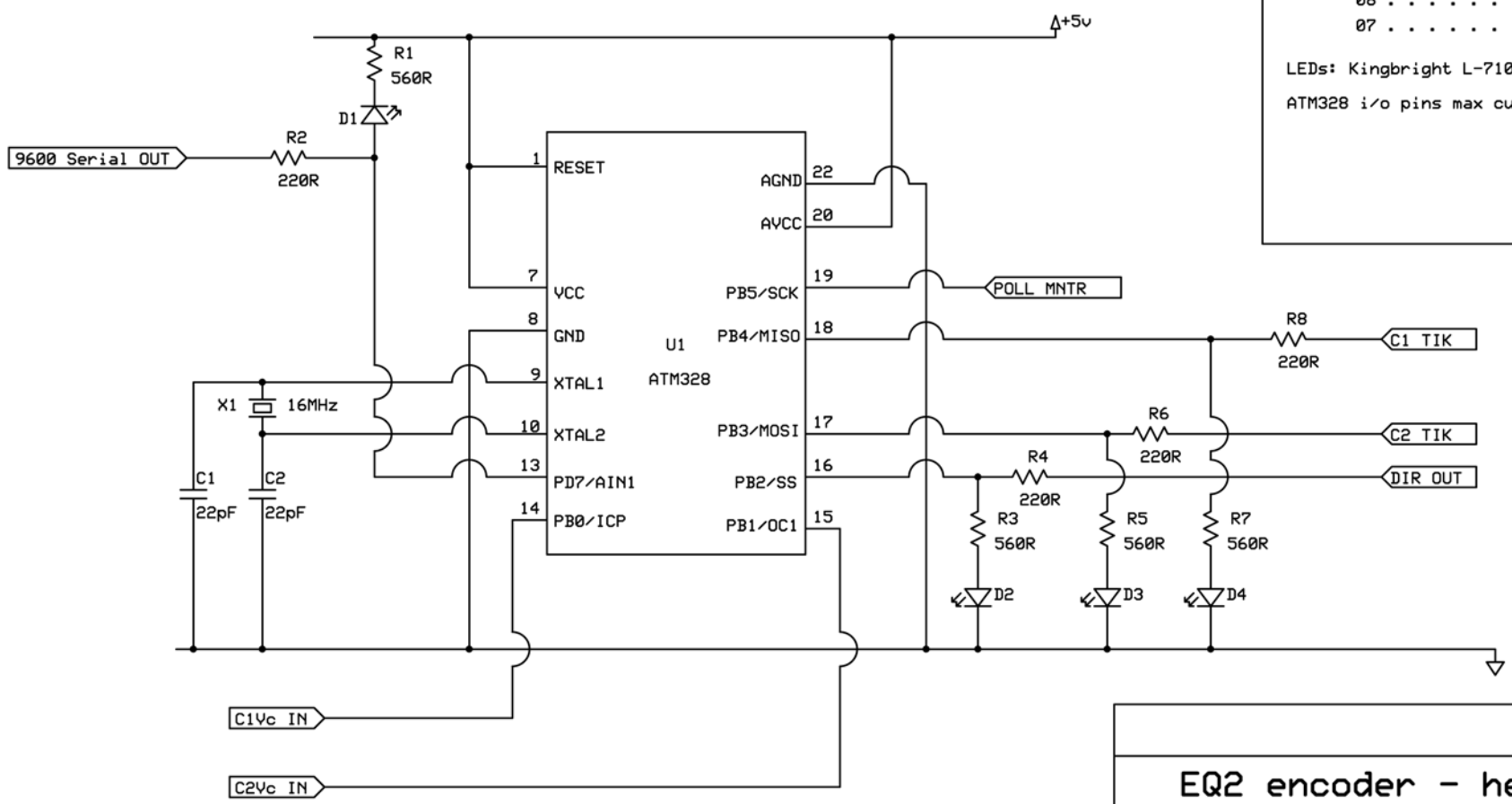


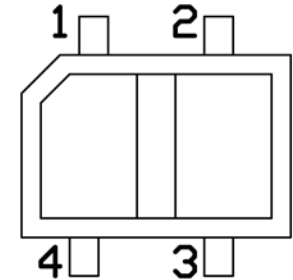
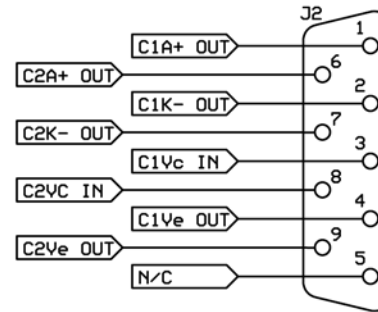
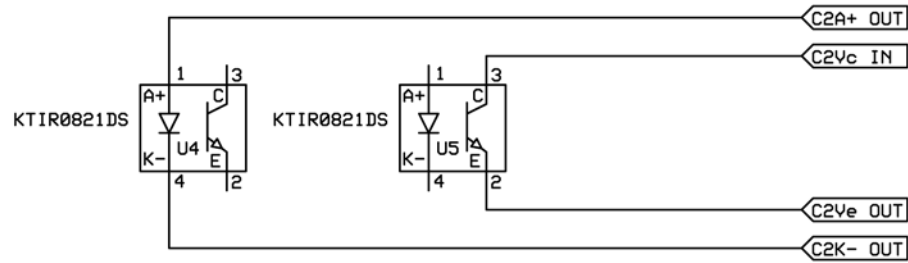
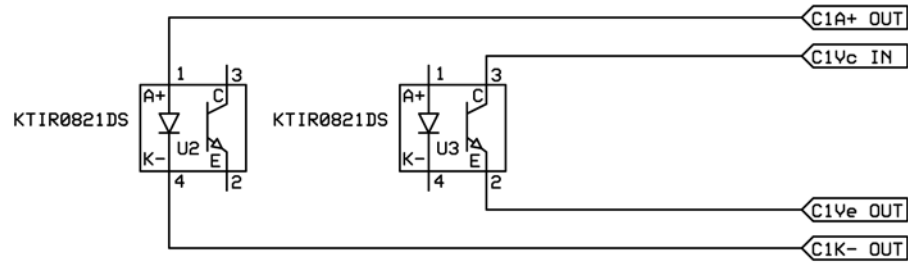
Notes:
 One of these head end processors for each of RA and DEC axis

arduino uno - ATM328 pin mapping

13	19
12	18
11	17
10	16
09	15
08	14
07	13

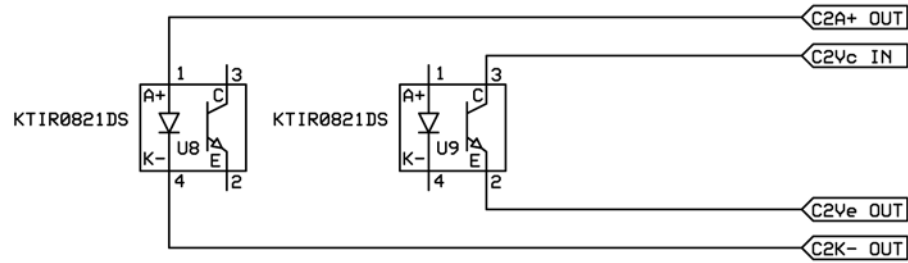
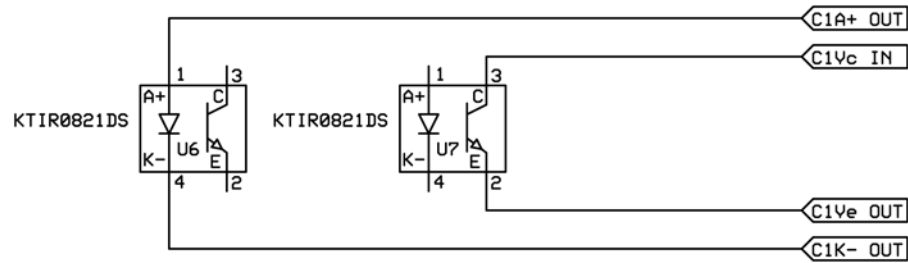
LEDs: Kingbright L-7104L low current
 ATM328 i/o pins max current = 40mA



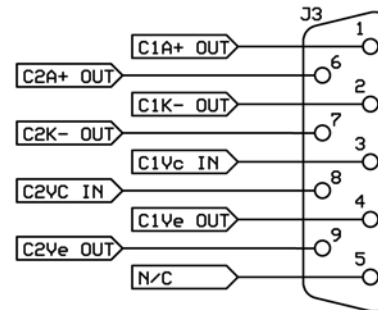


RA Axis

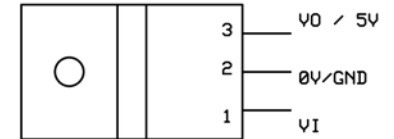
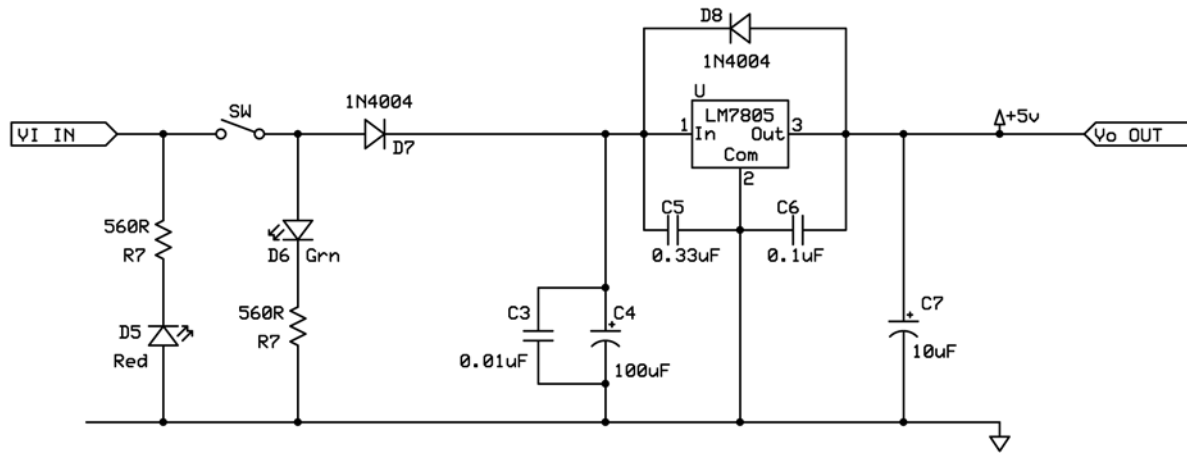
Kingbright KTIR0821DS pin out



DEC Axis



EQ2 encoder - sensors



LM7805 pin out

