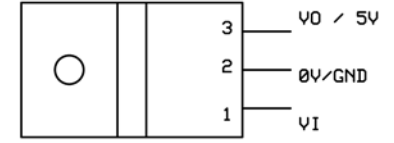
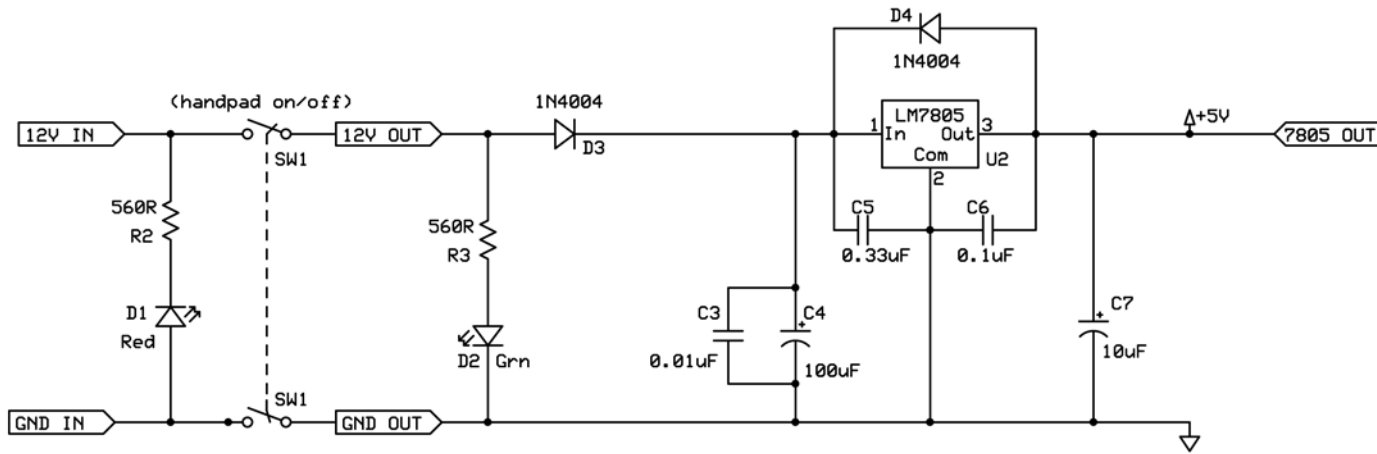


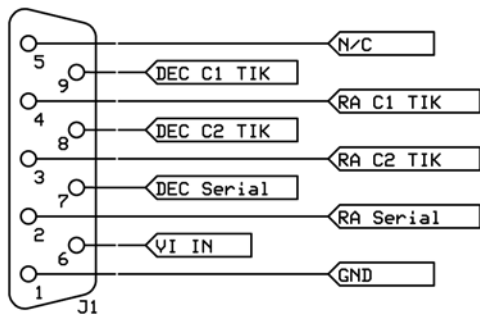
Notes:

arduino uno - ATM328 pin mapping - Function

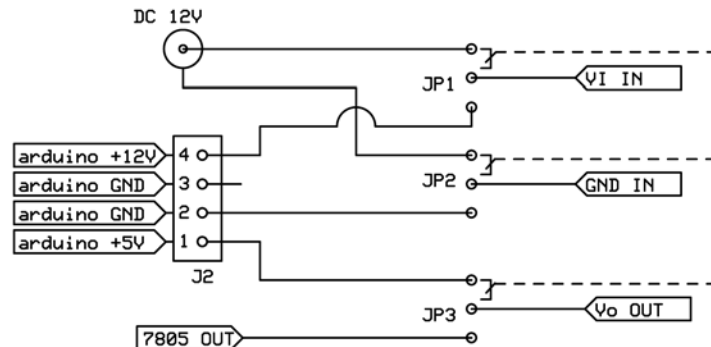
16	.25	ENTER key
15	.24	RIGHT key
14	.23	UP key
13	.19	LCD-RS
12	.18	LCD-R/W
11	.17	LCD-ENA
10	.16	Serial1 RA
09	.15	Serial2 RA
08	.14	Debug OUT
07	.13	DOWN key
06	.12	LEFT key
05	.11	LCD D4
04	.06	LCD D5
03	.05	LCD D6
02	.04	LCD D7



LM7805 pin out



Head end encoder connection DB9



arduino - 12V DC jumper

EQ2 setting circles display

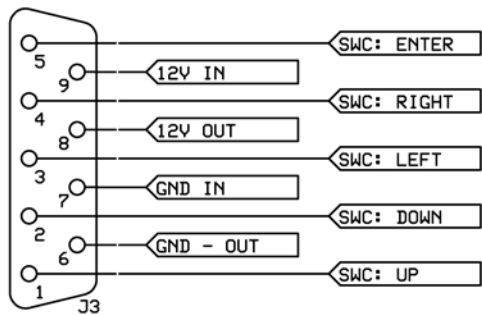
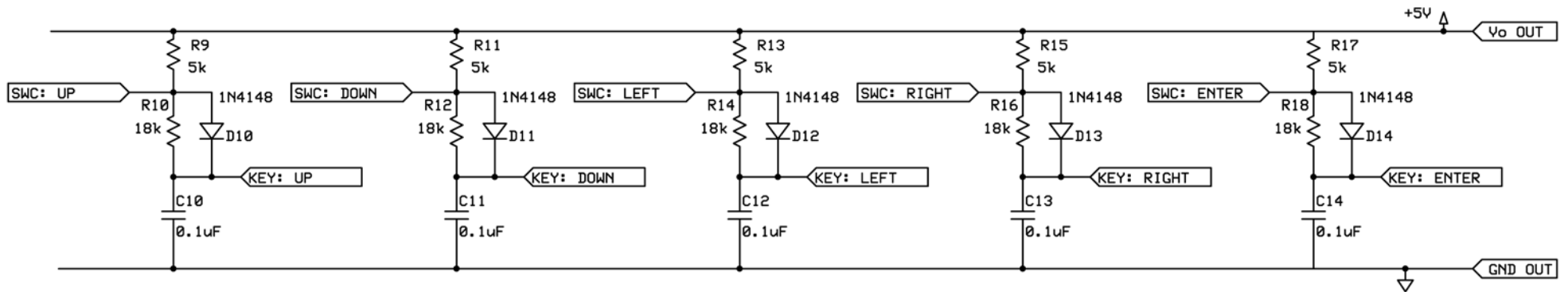
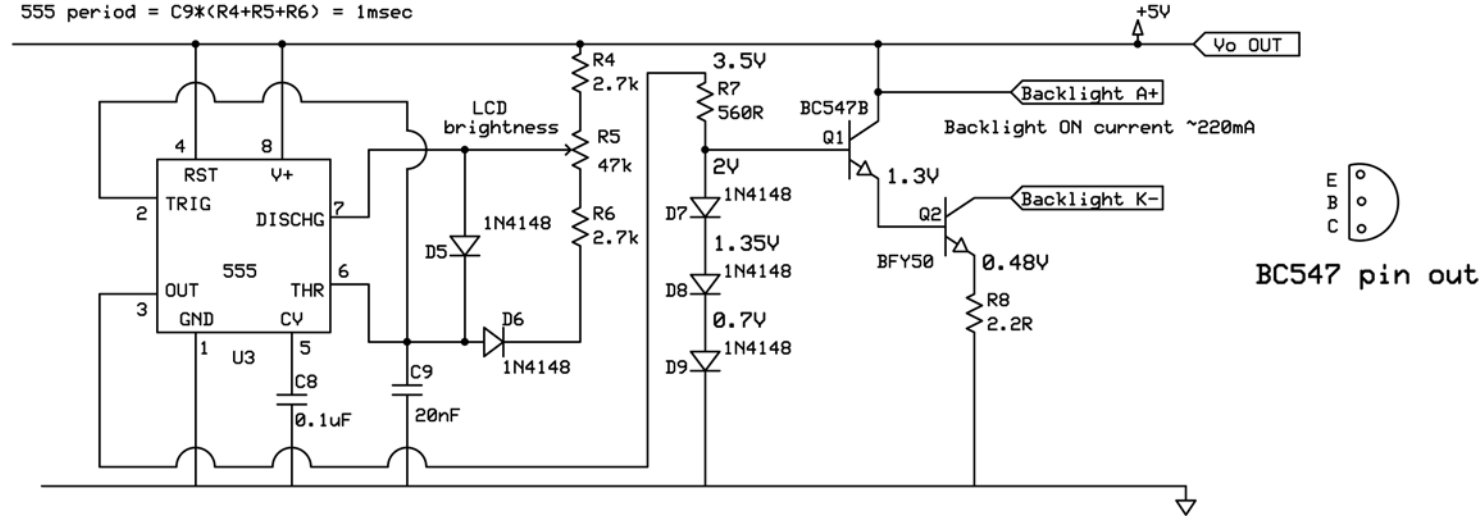
simon fedida

Rev 1.0

21/05/2013

Page 2 of 3

555 period = $C9 * (R4 + R5 + R6) = 1\text{msec}$



Display unit hand pad connection DB9

EQ2 setting circles display

simon fedida

Rev 1.0

23/05/2013

Page 3 of 3